



COMF ELECTRONIC COMPANY

EXPORTERS, IMPORTERS & MANUFACTURERS

香港九龍灣臨興街32號 美羅中心1期 15樓11室

Flat 11, 15/F., METRO CENTRE 1, 32 LAM HING ST.,

KOWLOON BAY, HONG KONG

TEL: (852) 2770 5181

FAX: (852) 2798 8129





WEB: www.comf-hk.com

Email: sales@comf-hk.com

Product Data Sheet

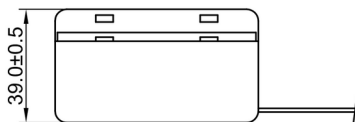
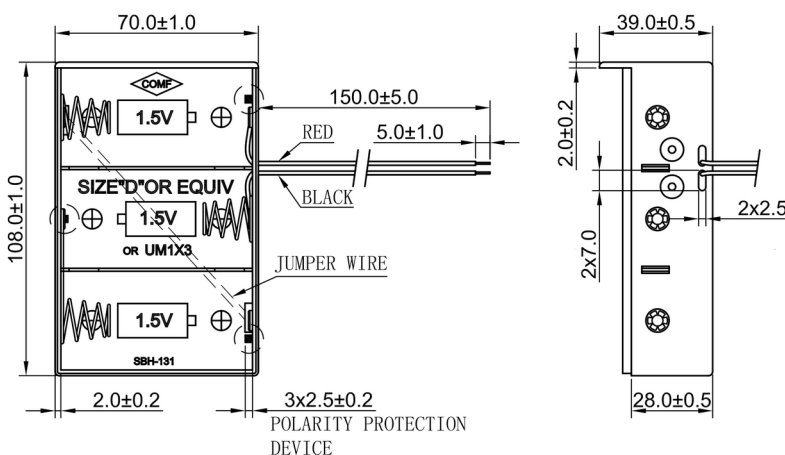
SBH-131A

Specification

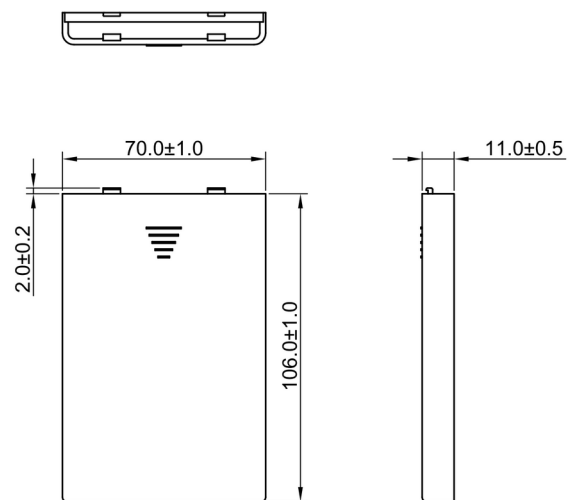
Cell Size:	3 X D Cell, UM-1, R20, LR20
Wire:	AWG 24, UL1007 150mm ± 5mm Stripped and Tinned: 5mm ±1mm
Body:	ABS 94HB, Black
Terminals:	Nickel plated brass
Springs:	Ø0.9mm Nickel plated spring steel
Compliance:	   



SBH-131A Shown without leads



BOTTOM



COVER