



COMF ELECTRONIC COMPANY

EXPORTERS, IMPORTERS & MANUFACTURERS

香港九龍灣臨興街32號 美羅中心1期 15樓11室

Flat 11, 15/F., METRO CENTRE 1, 32 LAM HING ST.,

KOWLOON BAY, HONG KONG

TEL: (852) 2770 5181

FAX: (852) 2798 8129

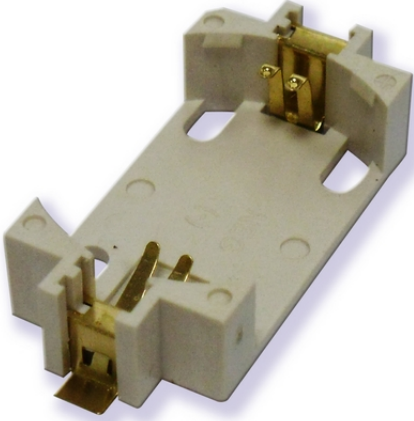

WEB: www.comf-hk.com

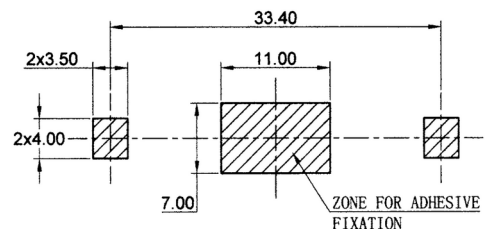
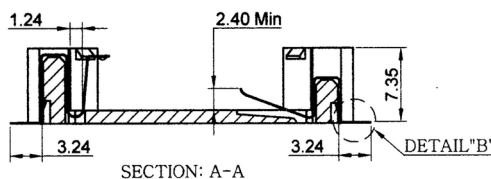
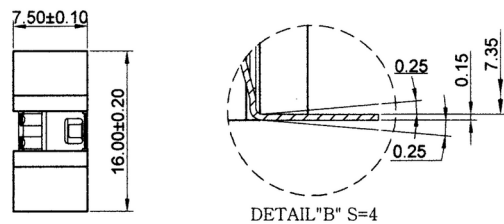
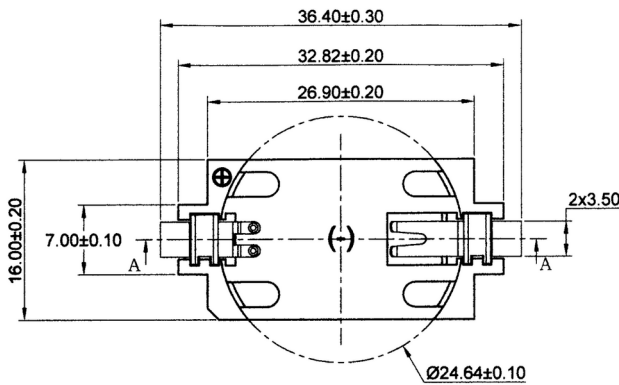
Email: sales@comf-hk.com

Product Data Sheet

CH274-2450

Specification

Cell Size:	1 X $\varnothing 24$ X 5.0mm Coin Cell (CR2450)	 <p style="text-align: center;">CH274-2450</p>
Body:	PBT + 35%GF UL 94V0, White	
Terminals:	Gold plate over Nickel, phosphor bronze	
Temp Range:	-55°C to +85°C	
Compliance:		



PCB MOUNTING LAYOUT