



# COMF ELECTRONIC COMPANY

EXPORTERS, IMPORTERS & MANUFACTURERS

香港九龍灣臨興街32號 美羅中心1期 15樓11室

Flat 11, 15/F., METRO CENTRE 1, 32 LAM HING ST.,

KOWLOON BAY, HONG KONG

TEL: (852) 2770 5181

FAX: (852) 2798 8129

WEB: www.comf-hk.com

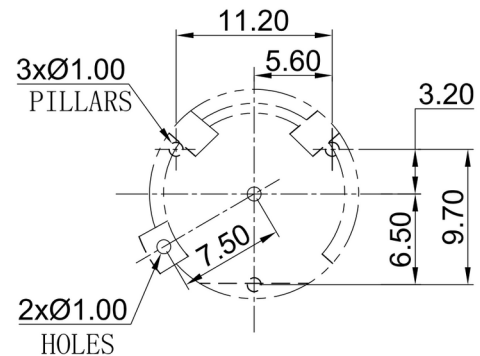
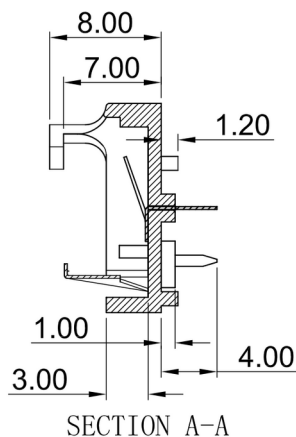
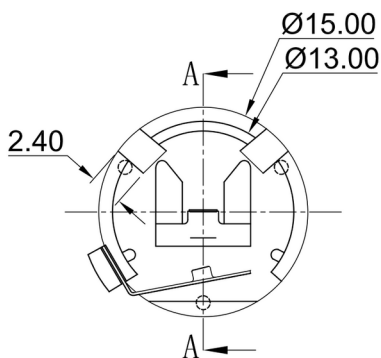
Email: sales@comf-hk.com

## Product Data Sheet

# CH23-1225

### Specification

Cell Size:	1 X $\varnothing 12$ X 2.5mm Coin Cell (CR1225)	 <p>CH23-1225</p>
Body:	PBT30%GF, UL 94V0, Black	
Terminals:	Tin Plate Over Nickel, Phosphor Bronze.	
Temp Range:	-55°C to +85°C	
Compliance:		



PCB MOUNTING LAYOUT