



COMF ELECTRONIC COMPANY

EXPORTERS, IMPORTERS & MANUFACTURERS

香港九龍灣臨興街32號 美羅中心1期 15樓11室

Flat 11, 15/F., METRO CENTRE 1, 32 LAM HING ST.,

KOWLOON BAY, HONG KONG

TEL: (852) 2770 5181

FAX: (852) 2798 8129

WEB: www.comf-hk.com

Email: sales@comf-hk.com

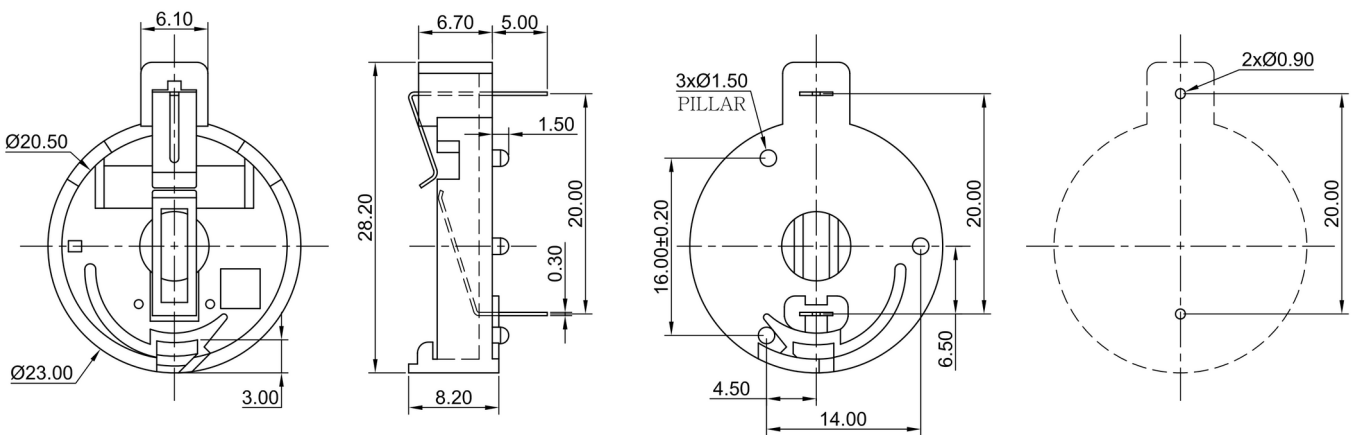
Product Data Sheet

CH076-2032

Specification

| | | |
|-------------|---|--|
| Cell Size: | 1 X $\varnothing 20$ X 3.2mm Coin Cell (CR2032) |  |
| Body: | Nylon 66 + 15%GF UL 94V0, Black | |
| Terminals: | Tin plate over Nickel, phosphor bronze | |
| Temp Range: | -55°C to +105°C | |
| Compliance: |  | |

CH076-2032



PCB MOUNTING LAYOUT