



COMF ELECTRONIC COMPANY

EXPORTERS, IMPORTERS & MANUFACTURERS

香港九龍灣臨興街32號 美羅中心1期 15樓11室

Flat 11, 15/F., METRO CENTRE 1, 32 LAM HING ST.,

KOWLOON BAY, HONG KONG

TEL: (852) 2770 5181

FAX: (852) 2798 8129

WEB: www.comf-hk.com

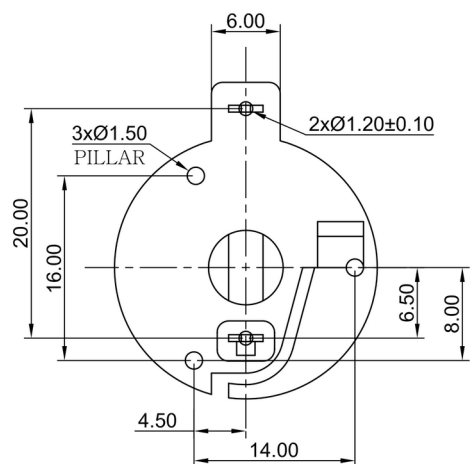
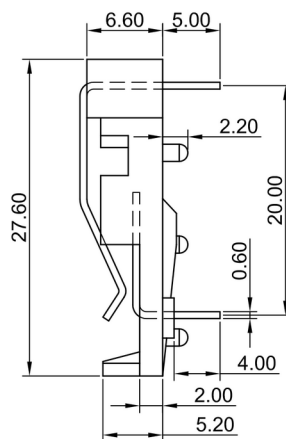
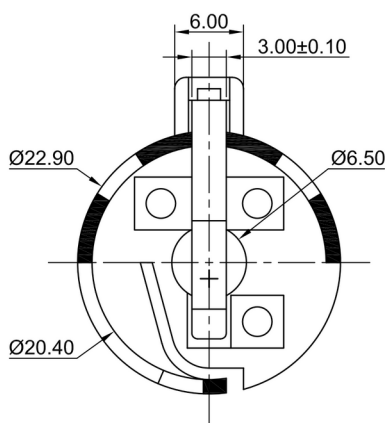
Email: sales@comf-hk.com

Product Data Sheet

CH075-2032

Specification

Cell Size:	1 X $\varnothing 20$ X 3.2mm Coin Cell (CR2032)	 CH075-2032
Body:	Nylon 66 + 15%GF UL 94V0, Black	
Terminals:	Tin plate over Nickel, phosphor bronze	
Temp Range:	-55°C to +105°C	
Compliance:		



PCB MOUNTING LAYOUT