



# COMF ELECTRONIC COMPANY

EXPORTERS, IMPORTERS & MANUFACTURERS

香港九龍灣臨興街32號 美羅中心1期 15樓11室

Flat 11, 15/F., METRO CENTRE 1, 32 LAM HING ST.,

KOWLOON BAY, HONG KONG

TEL: (852) 2770 5181

FAX: (852) 2798 8129

WEB: www.comf-hk.com

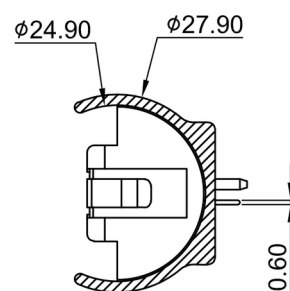
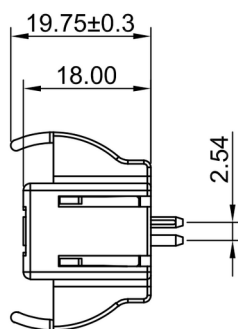
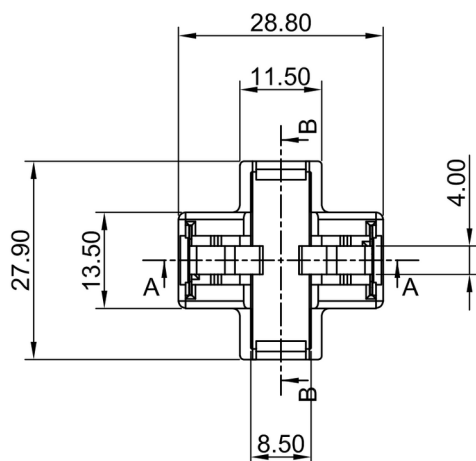
Email: sales@comf-hk.com

## Product Data Sheet

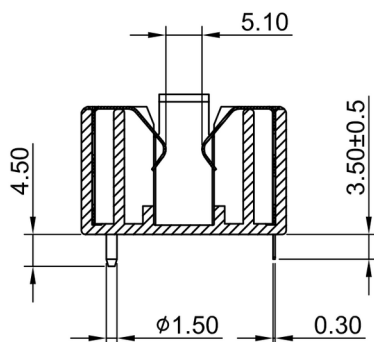
### CH033-2477

### Specification

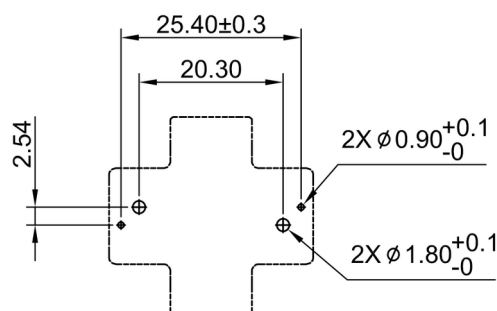
Cell Size:	1 X $\phi 24$ X 7.7mm Coin Cell (CR2477)	 <p>CH033-2477</p>
Body:	PA66 +30%GF UL 94V0, Black	
Terminals:	Tin plated phosphor bronze	
Temp Range:	-55°C to +85°C	
Compliance:		



SECTION B-B



SECTION A-A



PCB MOUNTING LAYOUT