



# COMF ELECTRONIC COMPANY

EXPORTERS, IMPORTERS & MANUFACTURERS

香港九龍灣臨興街32號 美羅中心1期 15樓11室

Flat 11, 15/F., METRO CENTRE 1, 32 LAM HING ST.,

KOWLOON BAY, HONG KONG

TEL: (852) 2770 5181

FAX: (852) 2798 8129

WEB: www.comf-hk.com

Email: sales@comf-hk.com

## Product Data Sheet

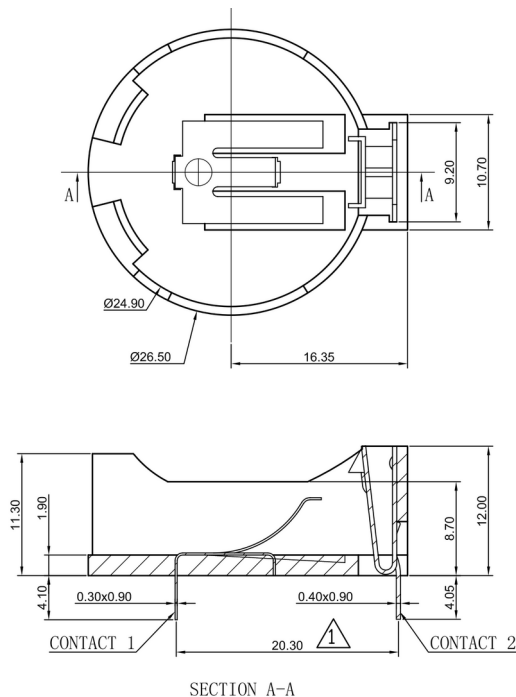
### CH031-2477

### Specification

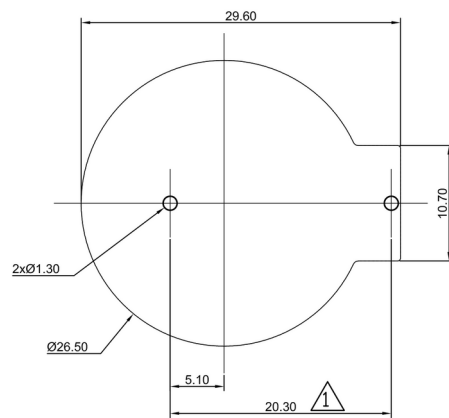
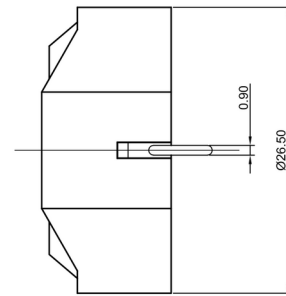
Cell Size:	1 X $\varnothing 24$ X 7.7mm Coin Cell (CR2477)
Body:	PBT UL 94V0, Black
Terminals:	Nickel plated phosphor bronze
Temp Range:	-55°C to +85°C
Compliance:	



CH031-2477



SECTION A-A



PCB MOUNTING LAYOUT