



COMF ELECTRONIC COMPANY

EXPORTERS, IMPORTERS & MANUFACTURERS

香港九龍灣臨興街32號 美羅中心1期 15樓11室

Flat 11, 15/F., METRO CENTRE 1, 32 LAM HING ST.,

KOWLOON BAY, HONG KONG

TEL: (852) 2770 5181

FAX: (852) 2798 8129

WEB: www.comf-hk.com

Email: sales@comf-hk.com

Product Data Sheet

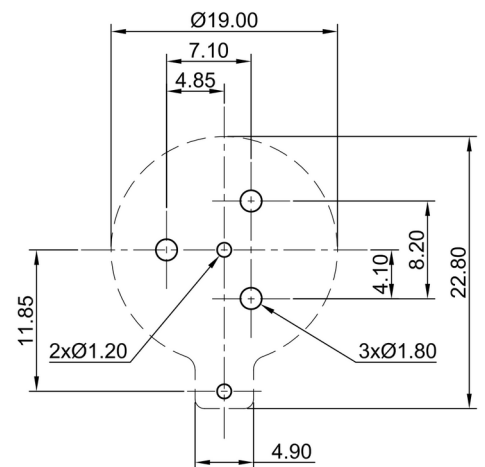
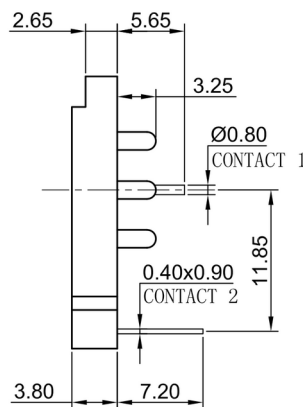
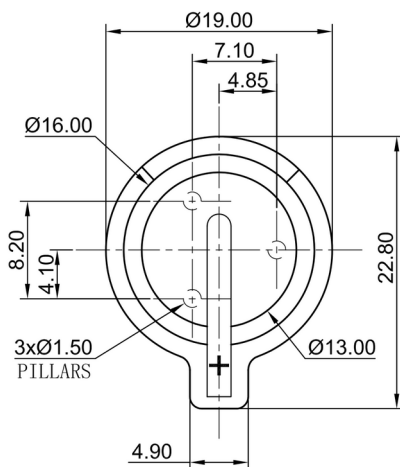
CH025-1616

Specification

| | |
|-------------|---|
| Cell Size: | 1 X $\varnothing 16$ X 1.6mm Coin Cell (CR1616) |
| Body: | PBT UL 94V0, Black |
| Terminals: | Nickel plated spring steel |
| Temp Range: | -55°C to +85°C |
| Compliance: | |



CH025-1616



PCB MOUNTING LAYOUT