



COMF ELECTRONIC COMPANY

EXPORTERS, IMPORTERS & MANUFACTURERS

香港九龍灣臨興街32號 美羅中心1期 15樓11室

Flat 11, 15/F., METRO CENTRE 1, 32 LAM HING ST.,

KOWLOON BAY, HONG KONG

TEL: (852) 2770 5181

FAX: (852) 2798 8129

WEB: www.comf-hk.com

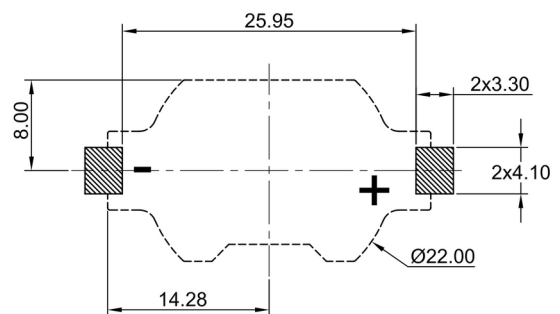
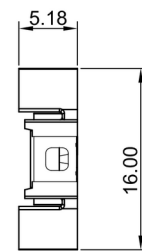
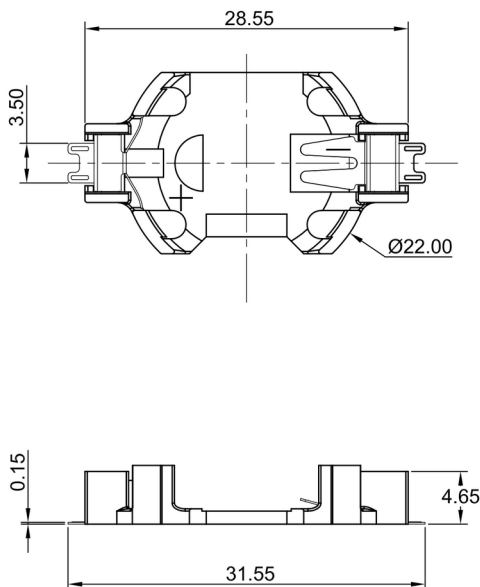
Email: sales@comf-hk.com

Product Data Sheet

CH017-2032

Specification

Cell Size:	1 X \varnothing 20 X 3.2mm Coin Cell (CR2032)	
Body:	LCP UL 94V0, Black	
Terminals:	Tin plated phosphor bronze	
Temp Range:	-25°C to +85°C	
Compliance:		
		CH017-2032



PCB MOUNTING LAYOUT