



# COMF ELECTRONIC COMPANY

EXPORTERS, IMPORTERS & MANUFACTURERS

香港九龍灣臨興街32號 美羅中心1期 15樓11室

Flat 11, 15/F., METRO CENTRE 1, 32 LAM HING ST.,

KOWLOON BAY, HONG KONG

TEL: (852) 2770 5181

FAX: (852) 2798 8129

WEB: www.comf-hk.com

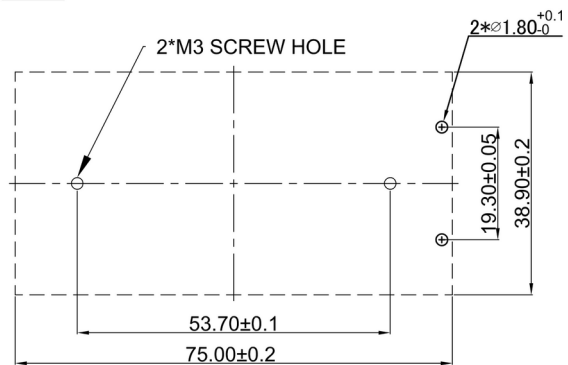
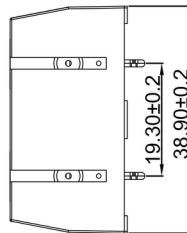
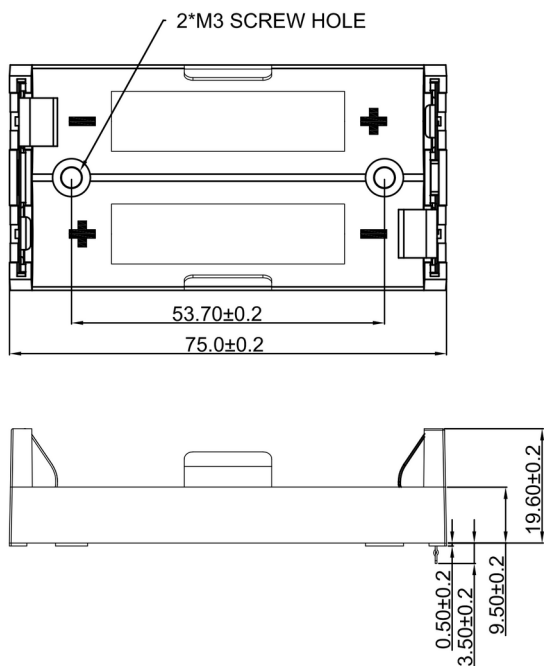
Email: sales@comf-hk.com

## Product Data Sheet

### BHC-18650-2P

### Specification

Cell Size:	2 X 18650 in series	 <p>● PARALLEL</p> <p>BHC-18650-2P Shown</p>
Body:	PBT + 30%GF, Black	
Terminals:	Nickel plated 301 Stainless Steel	
Compliance:		



PCB LAYOUT