



COMF ELECTRONIC COMPANY

EXPORTERS, IMPORTERS & MANUFACTURERS

香港九龍灣臨興街32號 美羅中心1期 15樓11室

Flat 11, 15/F., METRO CENTRE 1, 32 LAM HING ST.,

KOWLOON BAY, HONG KONG

TEL: (852) 2770 5181

FAX: (852) 2798 8129

WEB: www.comf-hk.com

Email: sales@comf-hk.com

Product Data Sheet

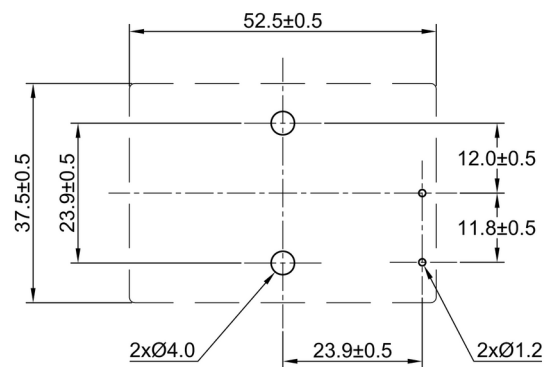
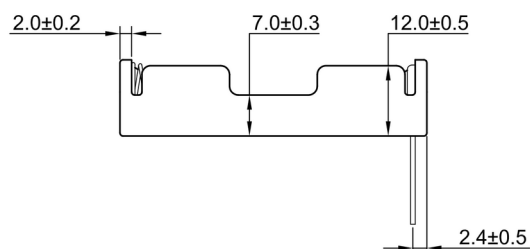
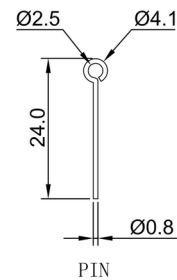
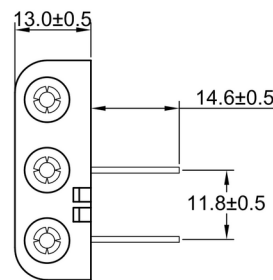
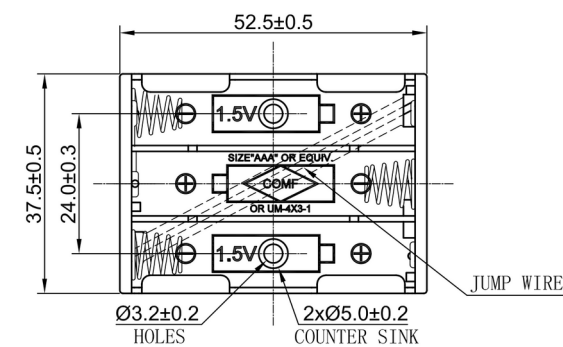
BH-431-1P

Specification

Cell Size:	3 X AAA Cell, UM-4
Body:	Polypropylene, 94HB Black With Polarity Protection
Wire:	UL1007 24AWG
Terminals:	Nickel plated brass
Springs:	Ø0.6mm Nickel plated 65C spring steel
Compliance:	



BH-431-1A Shown Without Leads



PCB/MOUNTING LAYOUT