



COMF ELECTRONIC COMPANY

EXPORTERS, IMPORTERS & MANUFACTURERS

香港九龍灣臨興街32號 美羅中心1期 15樓11室

Flat 11, 15/F., METRO CENTRE 1, 32 LAM HING ST.,

KOWLOON BAY, HONG KONG

TEL: (852) 2770 5181

FAX: (852) 2798 8129



WEB: www.comf-hk.com

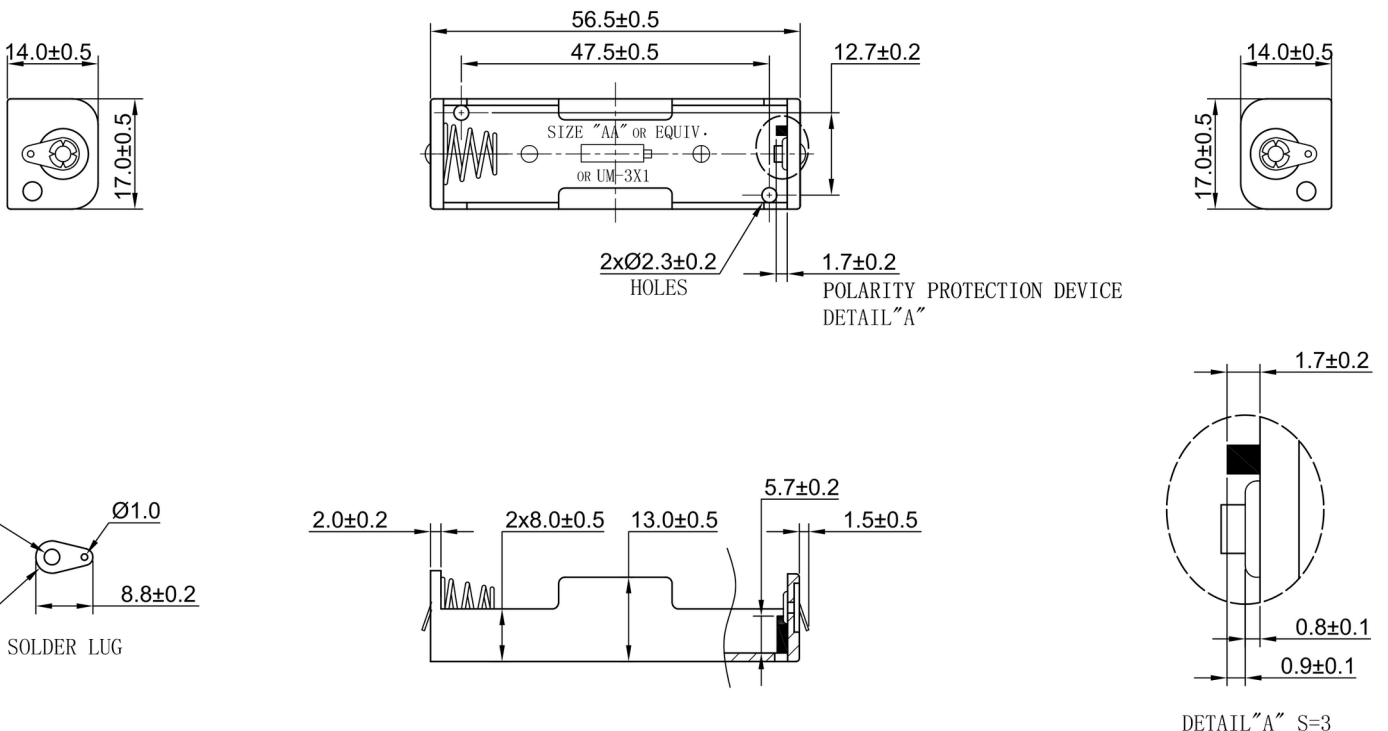
Email: sales@comf-hk.com

Product Data Sheet

BH-311-1D

Specification

Cell Size:	1 X AA Cell, UM-3	
Body:	Polypropylene, 94HB Black,, with polarity protection posts	
Terminals:	Nickel plated brass	
Springs:	Ø0.65mm Nickel plated spring steel	
Compliance:		



DETAIL "A" S=3