



COMF ELECTRONIC COMPANY

EXPORTERS, IMPORTERS & MANUFACTURERS

香港九龍灣臨興街32號 美羅中心1期 15樓11室

Flat 11, 15/F., METRO CENTRE 1, 32 LAM HING ST.,

KOWLOON BAY, HONG KONG

TEL: (852) 2770 5181

FAX: (852) 2798 8129

WEB: www.comf-hk.com

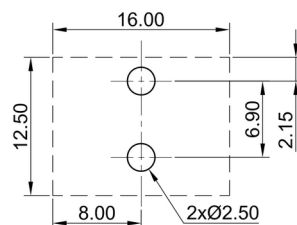
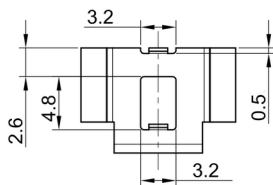
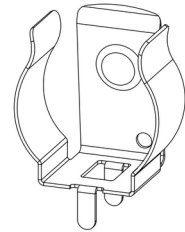
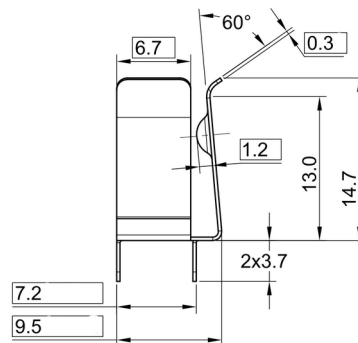
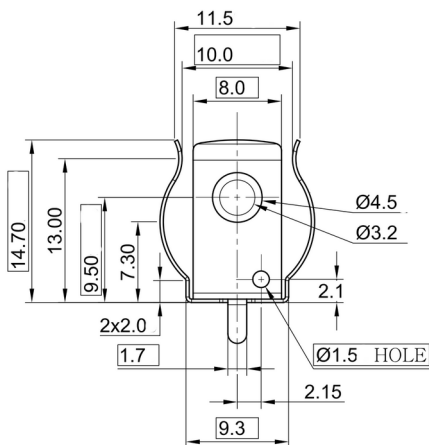
Email: sales@comf-hk.com

Product Data Sheet BC-0301

Specification

Cell Size:	Suit AA, 1/2AA, 2/3AA Batteries	
Material:	0.3mm Nickel plated Spring Steel	
Compliance:		

BC-0301



PCB MOUNTING LAYOUT